



MILTECH™ 306

A Truly IP 68 Military USB Hub

PRODUCT DESCRIPTION

Techaya's MILTECH™ 306 is a MIL-STD rugged, military-grade USB hub, offering 7+1 USB 2.0 Ports. The Portable Rugged Ethernet Switch is intended for Command Post Man Packable.

Developed for mobile portable military and harsh environment applications, the MILTECH306 features mechanical packaging enhancements designed for MIL-STD-810F airborne and ground environmental compliance and high reliability. The unit has been especially hardened to improve ingress, impact, and shock/vibration protection, as well as eliminate all moving parts through passive cooling, and interface through sealed MIL-SCE circular connectors.

Leveraging best-in-class technology from Techaya, the MILTECH306 serves as a robust solution for providing USB connectivity to IP-enabled computing, memory sticks and other USB devices. Compact in size, the MILTECH306 is particularly useful for expanding USB port density in space-constrained airborne and ground vehicle environments.

MILTECH306 is specifically designed for Data Acquisition & Transmission, Battlefield Communication C4ISR, Rugged Networks, Mobile Communications, Combat vehicles and Avionic & Shipboard Systems.

FEATURES

ETHERNET PORTS:	<ul style="list-style-type: none"> 1+7 USB 2.0 Hub with 8 dedicated ports
NETWORKING:	<ul style="list-style-type: none"> Full wire-speed forwarding rate
CONNECTORS:	<ul style="list-style-type: none"> Connectors Type: SCE2-B-76A06-075N-001
CHASSIS:	<ul style="list-style-type: none"> Low profile rugged machined aluminum Conductively cooled Ingress protection against sand, dust and moisture Anodize Coating, MIL-A-8625, Type II, Class 2
STANDARDS:	<ul style="list-style-type: none"> MILSTD-461E, MILSTD-810F/G/GM, IP68
VOLTAGE OPERATION:	<ul style="list-style-type: none"> 5VDC (USB) INPUT, Upstream USB Port # 1, or external Power source for high power applications. High Power for 2 USB ports up to 2A per port



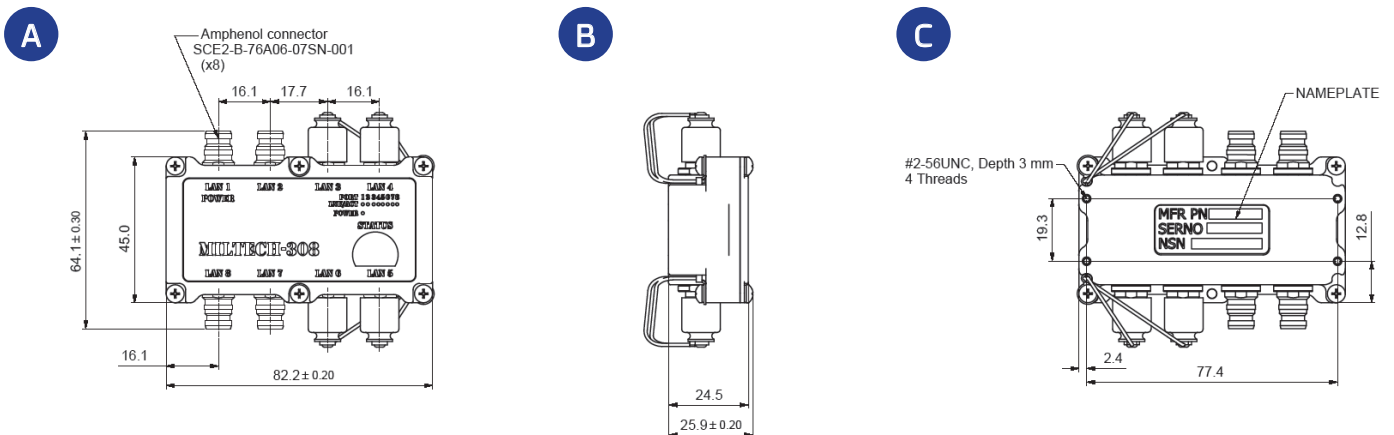


MILTECH™ 306

A Truly IP 68 Military USB Hub

PRODUCT SPECIFICATIONS

PERFORMANCE:	<ul style="list-style-type: none"> • 1 upstream USB 2.0 • 7 downstream USB 2.0 (including 2 High Power ports) • Up to five cascaded hubs • Maximum cable length between each hub: 5m • Up to 127 devices • Per port LED indication
STANDARDS COMPLIANCE:	<ul style="list-style-type: none"> • USB specification version 2.0 1 (data rates of up to 480 Mbps) • USB specification version 1.1 (data rates of up to 12 Mbps) • OHCI, UHCI, VEHCI
POWER:	<ul style="list-style-type: none"> • Voltage Input: 5Vdc Nominal - Optional USB Sourcing • Power Consumption: 2W Typical up to 16.25W with external Power supply • Chassis grounding
ELECTROMAGNETIC:	<ul style="list-style-type: none"> • MIL-STD-461E Electromagnetic compatibility • CE-102, CS-114, CS-115, CS-116, RE-102, RS-103
ENVIRONMENTAL:	<ul style="list-style-type: none"> • MILSTD-810F/G/GM: • Random vibration (514.5I), Bench Handling (516.6VI), High Temp.(501.5I,II), Low Temp.(502.5I), Humidity (507.5II), Air Pressure (500.5I,II), Blowing Rain (506.5I), Immersion (512.5I), Salt Atmosphere (509.5I), Blowing Dust (510.5I), Loose Cargo Vibration (514.6II), Wind Analysis. • IP68
PHYSICAL:	<ul style="list-style-type: none"> • Dimensions: 82.2mm (L) x 64.1(W) x 26(H), Not including connectors Dust Caps • Weight: 140g - including dust caps
INSTALLATION:	<ul style="list-style-type: none"> • Portable, 4 screws for mounting to any flat surface.
COOLING:	<ul style="list-style-type: none"> • No Moving Parts. Passive Cooling
OPERATING TEMP:	<ul style="list-style-type: none"> • -40°C to +75°C (-40°F to +167°F) - Cold Start-Up
STORAGE TEMP:	<ul style="list-style-type: none"> • -45°C to +85°C (-49°F to +185°F)



*All measurements are in millimeters

ORDERING INFORMATION

PART NUMBER	DESCRIPTION
MILTECH-306	MILTECH306, MIL-STD Rugged, 1+7 USB 2.0 Hub